

SECTION 4 CHARTS AND DIAGRAMS

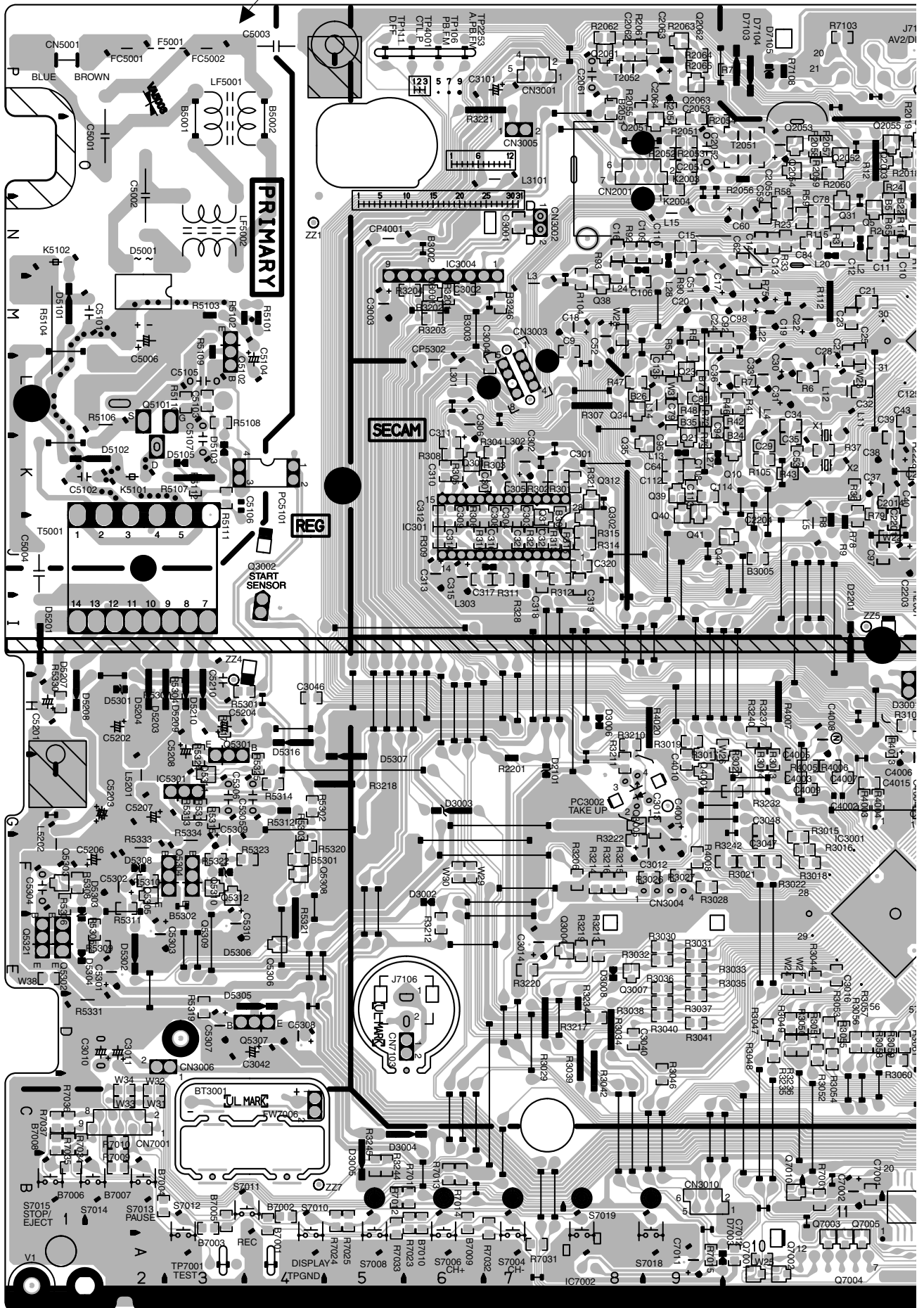
COMPONENT PARTS LOCATION GUIDE <MAIN>

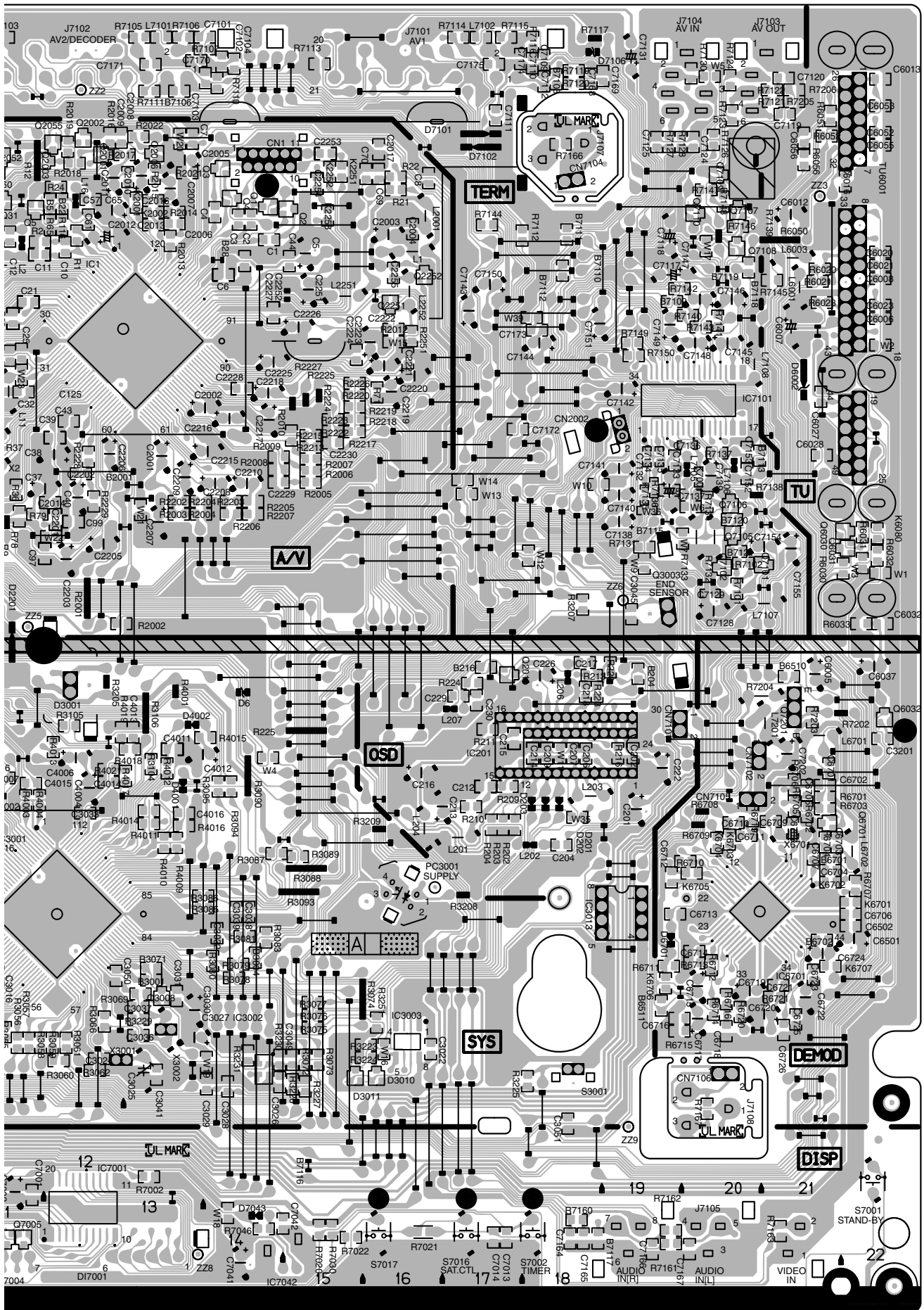
REF.NO.	LOCATION	REF.NO.	LOCATION	REF.NO.	LOCATION	REF.NO.	LOCATION	REF.NO.	LOCATION	REF.NO.	LOCATION	REF.NO.	LOCATION	REF.NO.	LOCATION	REF.NO.	LOCATION	
CAPACITOR																		
C1	C	C2061	A	D	8P	C6053	B	C	22P	D5101	A	D	1M	Q2062	B	C	9P	
C2	B	C2062	A	D	8P	C6055	B	C	22P	D5102	A	D	2K	Q2063	B	C	9P	
C3	B	C2063	A	D	9P	C6056	B	C	22P	D5103	A	D	3K	Q2251	B	C	16M	
C4	B	C2064	A	D	12J	C6501	B	C	21E	D5105	A	D	3K	Q2252	B	C	16M	
C5	B	C2201	A	D	12J	C6502	B	C	22E	D5201	A	D	3	Q5301	B	C	6M	
C6	B	C2202	A	D	12J	C6701	B	C	21G	D5202	A	D	3	Q5302	B	C	6M	
C7	B	C2203	A	D	12J	C6702	B	C	21G	D5204	A	D	3	Q3003	A	D	19J	
C8	B	C2204	A	D	10J	C6703	B	C	21F	D5207	A	D	1	Q3004	B	C	8E	
C9	B	C2205	A	D	12J	C6704	B	C	21F	D5208	A	D	1	Q3005	B	C	8E	
C10	B	C2206	A	D	12K	C6705	B	C	21G	D5209	A	D	3	Q3007	B	C	8E	
C11	B	C2207	A	D	13K	C6706	B	C	22F	D5210	A	D	3	Q3008	B	C	8E	
C12	B	C2208	A	D	14K	C6707	B	C	21F	D5301	A	D	2	Q4001	B	C	9G	
C13	B	C2209	A	D	13K	C6708	B	C	21G	D5302	A	D	2H	R2056	A	D	100	
C14	B	C2210	A	D	14K	C6709	B	C	21G	D5303	A	D	2F	R2057	A	D	110	
C15	B	C2211	A	D	13K	C6710	B	C	20G	D5304	A	D	1E	Q5301	A	D	3E	
C16	B	C2212	A	D	14K	C6711	B	C	20G	D5305	A	D	3D	Q5302	A	D	3E	
C17	B	C2213	A	D	14L	C6712	B	C	19F	D5306	A	D	3F	Q5303	B	C	1F	
C18	B	C2214	A	D	14L	C6713	B	C	19F	D5307	A	D	5G	Q5304	A	D	3F	
C19	B	C2215	A	D	16L	C6714	B	C	20E	D5308	A	D	2F	Q5305	B	C	2E	
C20	B	C2216	A	D	16L	C6715	B	C	20E	D5316	A	D	4H	Q5306	B	C	4F	
C21	B	C2217	A	D	16L	C6716	B	C	20D	D6002	A	D	21M	Q2007	A	D	25	
C22	B	C2218	A	D	15M	C6717	B	C	20D	D6701	A	D	19E	Q5308	B	C	4F	
C23	B	C2219	A	D	14L	C6720	B	C	21D	D7003	A	D	10A	Q5309	B	C	4F	
C24	B	C2220	A	D	15M	C6721	B	C	21E	D7043	A	D	14B	Q5310	B	C	3F	
C25	B	C2221	A	D	14L	C6722	B	C	21D	D7101	A	D	17O	Q5311	B	C	3G	
C26	B	C2222	A	D	15M	C6723	B	C	21E	D7102	A	D	17O	Q5312	B	C	3F	
C27	B	C2223	A	D	14L	C6724	B	C	21D	D7103	A	D	10P	Q5321	A	D	1E	
C28	B	C2224	A	D	14L	C6725	B	C	21D	D7104	A	D	10P	Q5322	A	D	1E	
C29	B	C2225	A	D	15M	C6726	B	C	21D	D7105	A	D	10P	Q6031	B	C	22J	
C30	B	C2226	A	D	15M	C6727	B	C	21D	D7106	A	D	18P	Q6032	B	C	22H	
C31	B	C2227	A	D	15M	C7001	B	C	11B	Q6701	B	C	21G	R2215	A	D	15L	
C32	B	C2228	A	D	15M	C7002	B	C	11B	Q7001	B	C	10A	R2217	A	D	15L	
C33	B	C2229	A	D	15O	C7003	B	C	11B	Q7002	B	C	10A	R2218	B	C	15L	
C34	B	C2230	A	D	15O	C7004	B	C	9A	Q7003	B	C	11A	R2219	B	C	15L	
C35	B	C2231	A	D	16M	C7012	B	C	10A	Q7004	B	C	11A	R2220	B	C	15L	
C36	B	C2232	A	D	16M	C7013	B	C	10A	Q7005	B	C	11A	R2221	B	C	15L	
C37	B	C2233	A	D	16M	C7014	B	C	17A	IC3002	B	C	14D	Q7010	B	C	10B	
C38	B	C2234	A	D	16M	C7015	B	C	14A	IC3003	B	C	16D	Q7101	A	D	21J	
C39	B	C2235	A	D	16M	C7016	B	C	15B	IC3004	A	D	7N	Q7102	B	C	20J	
C40	B	C2236	A	D	2D	C7101	B	C	14P	IC3013	A	D	19F	Q7105	B	C	20J	
C41	B	C2237	A	D	2D	C7102	B	C	14P	IC5301	A	D	3G	Q7106	B	C	20K	
C42	B	C2238	A	D	2D	C7103	B	C	14P	IC7011	B	C	20F	Q7107	B	C	20N	
C43	B	C2239	A	D	2D	C7104	B	C	14P	IC7012	B	C	20F	Q7108	B	C	20N	
C44	B	C2240	A	D	7E	C7109	B	C	18P	IC7002	A	D	8A	Q7109	B	C	20O	
C45	B	C2241	A	D	11E	C7110	B	C	18P	IC7042	A	D	15A	Q7110	B	C	20H	
C46	B	C2242	A	D	16D	C7111	B	C	17P	IC7011	B	C	20L	Q7201	A	D	21H	
C47	B	C2243	A	D	12C	C7112	B	C	18P	JACK	J7101	A	D	12P	R1	B	C	12N
C48	B	C2244	A	D	13C	C7113	B	C	20N	JACK	J7102	A	D	16P	R2	B	C	12N
C49	B	C2245	A	D	14C	C7114	B	C	19N	JACK	J7103	A	D	21P	R3	B	C	11N
C50	B	C2246	A	D	13D	C7115	B	C	20O	JACK	J7104	A	D	20P	R4	B	C	9M
C51	B	C2247	A	D	13D	C7116	B	C	19O	JACK	J7105	A	D	20A	R5	B	C	11L
C52	B	C2248	A	D	13D	C7117	B	C	20J	JACK	J7106	A	D	6E	R6	B	C	10L
C53	B	C2249	A	D	13D	C7118	B	C	19P	JACK	J7107	A	D	19O	R7	A	D	11K
C54	B	C2250	A	D	13D	C7119	B	C	19K	JACK	J7108	A	D	20C	R8	A	D	10K
C55	B	C2251	A	D	13D	C7120	B	C	19K	COIL	L1	A	D	16N	R9	A	D	11K
C56	B	C2252	A	D	14C	C7121	B	C	20K	COIL	L2	A	D	11N	R10	B	C	10N
C57	B	C2253	A	D	14C	C7122	B	C	20K	COIL	L3	A	D	7M	R11	B	C	12O
C58	B	C2254	A	D	14C	C7123	B	C	20K	COIL	L4	A	D	10L	R12	B	C	10N
C59	B	C2255	A	D	14C	C7124	B	C	20K	COIL	L5	A	D	11K	R13	B	C	11K
C60	B	C2256	A	D	14C	C7125	B	C	20K	COIL	L11	A	D	11L	R36	B	C	11K
C61	B	C2257	A	D	14C	C7126	B	C	20K	COIL	L12	A	D	11L	R37	B	C	11K
C62	B	C2258	A	D	14C	C7127	B	C	20K	COIL	L13	A	D	9K	R42	B	C	10L
C63	B	C2259	A	D	14C	C7128	B	C	20K	COIL	L14	A	D	9L	R43	B	C	10K
C64	B	C2260	A	D	14C	C7129	B	C	20K	COIL	L15	A	D	9N	R46	B	C	10L
C65	B	C2261	A	D	14C	C7130	B	C	20K	COIL	L16	A	D	12O	R47	B	C	8L
C66	B	C2262	A	D	14C	C7131	B	C	20K	COIL	L20	A	D	11N	R48	B	C	9L
C67	B	C2263	A	D	14C	C7132	B	C	20K	COIL	L22	A	D	10M	R50	B	C	9L
C68	B	C2264	A	D	14C	C7133	B	C	20K	COIL	L23	A	D	8N	R58	B	C	10N
C69	B	C2265	A	D	14C	C7134	B	C	20K	COIL	L27	A	D	9K	R59	B	C	10N
C70	B	C2266	A	D	14C	C7135	B	C	19K	COIL	L28	A	D	9N	R69	B	C	12N
C71	B	C2267	A	D	14C	C7136	B	C	20K	COIL	L29	A	D	9M	R70	B	C	10N
C72	B	C2268	A	D	14C	C7137	B	C	20K	COIL	L30	A	D	9L	R71	B	C	16L
C73	B	C2269	A	D	14C	C7138	B	C	20K	COIL	L31	A	D	9K	R72	B	C	9L
C74	B	C2270	A	D	14C	C7139	B	C	20K	COIL	L32	A	D	9K	R73	B	C	9K
C75	B	C2271	A	D	14C	C7140	B	C	20K	COIL	L33	A	D	9K	R75	B	C	9K
C76	B	C2272	A	D	14C	C7141	B	C	20K	COIL	L34	A	D	9K	R77	B	C	9K
C77	B	C2273	A	D	14C	C7142	B	C	19L	COIL	L35	A	D	9K	R79	B	C	11K
C78	B	C2274	A	D	14C	C7143	B	C	19L	COIL	L36	A	D	9K	R90	B	C	8N
C79	B	C2275	A	D	14C	C7144	B	C	17M	COIL	L37	A	D	9K	R92	B	C	8M
C80	B	C2276	A	D	14C	C7145	B	C	20M	COIL	L38	A	D	9K	R93	B	C	8M
C81	B	C2277	A	D	14C	C7146	B	C	20M	COIL	L39	A	D	9K	R104	B	C	8M
C82	B	C2278	A	D	14C	C7147	B	C	20M	COIL	L40	A	D	9K	R105	B	C	10K
C83	B	C2279	A	D	14C	C7148	B	C	20M	COIL	L41	A	D	9K	R111	B	C	11N
C84	B	C2280	A	D	14C	C7149	B	C	19M	COIL	L42	A	D	9K	R112	B	C	12N
C85	B	C2281	A	D	14C	C7150	B	C	17M	COIL	L43	A	D	9K	R116	B	C	12N
C86	B	C2282	A	D	14C	C7151	B	C	18M	COIL	L44	A	D	9K	R120	B	C	17G
C87	B	C2283	A	D	14C	C7152	B	C	20K	COIL	L45	A	D	9K	R203	B	C	17G
C88	B	C2284	A	D	14C	C7153	B	C	20K	COIL	L46	A	D	9K	R204	B	C	17G
C89	B	C2285	A	D	14C	C7154	B	C	20K	COIL	L47	A	D	9K	R205	B	C	17G
C90	B	C2286	A	D	14C	C7155	B	C	20K	COIL	L48	A	D	9K	R206	B	C	17G
C91	B	C2287	A	D	14C	C7156	B	C	20K	COIL	L49	A	D	9K	R207	B	C	17G
C92	B	C2288	A	D	14C	C7157	B	C	20K	COIL	L50	A	D	9K	R208	B	C	17G
C93	B	C2289	A	D	14C	C7158	B	C	20K	COIL	L51	A	D	9K	R209	B	C	17G
C94	B	C2290	A	D	14C	C7159	B	C	20K	COIL	L52	A	D	9K	R210	B	C	17G
C95	B	C2291	A	D	14C	C7160	B	C	20K	COIL	L53	A	D	9K	R211	B	C	17G
C96	B	C2292	A	D	14C	C7161	B	C	20K	COIL	L54	A	D	9K	R212	B	C	17

4.1 MAIN CIRCUIT BOARD

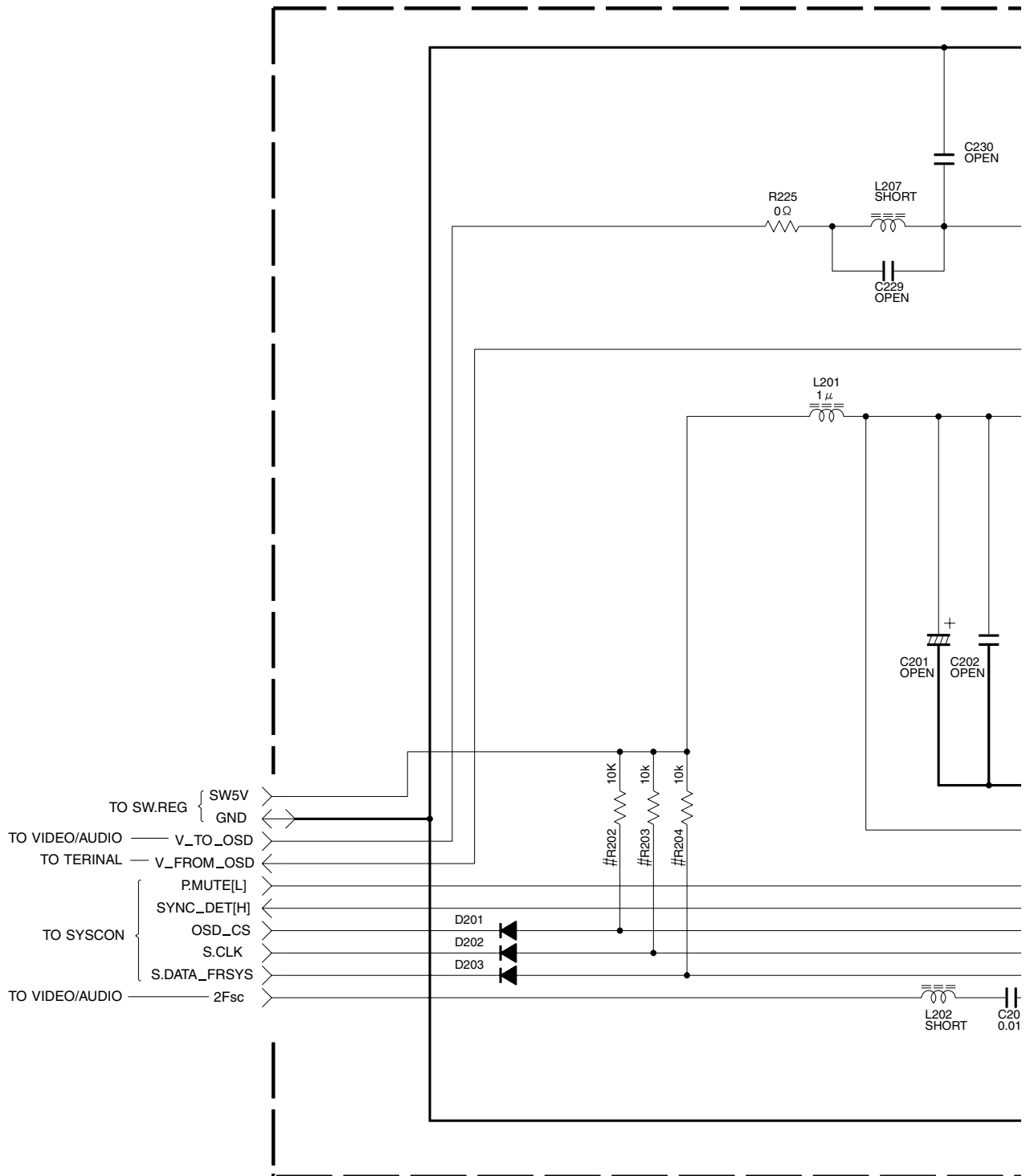
<03> MAIN
LPB10131-001D

DANGEROUS VOLTAGE





4.2 MAIN(ON SCREEN) SCHEMATIC DIAGRAM



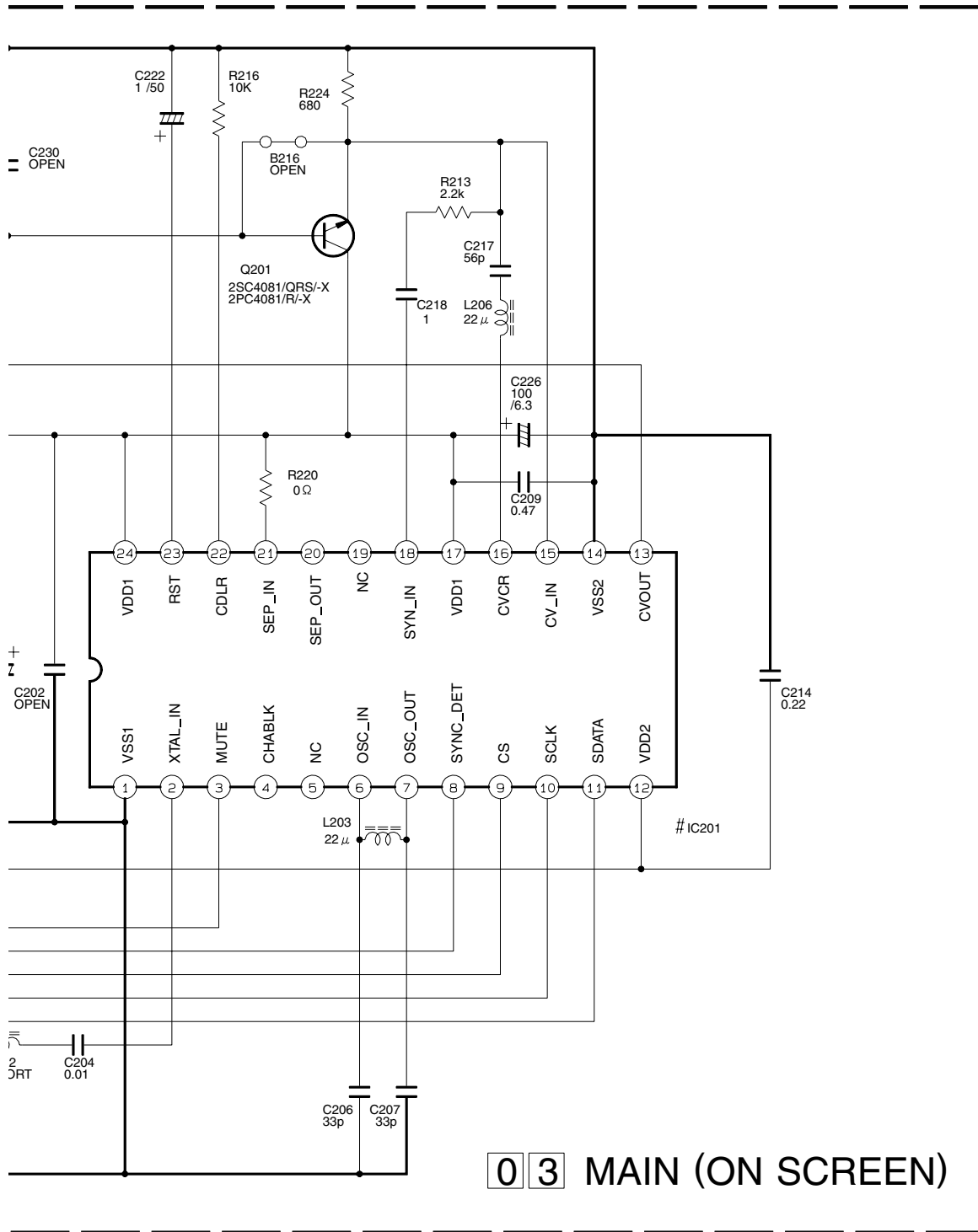
NOTES: UNLESS OTHERWISE SPECIFIED.
 ALL RESISTANCE VALUES ARE IN OHMS.
 ALL INDUCTANCE VALUES ARE IN H.
 ALL CAPACITANCE VALUES ARE IN μ F.

 ELECTROLYTIC
 CERAMIC

#DIFFERENCE TABLE

MODEL		SYMBOL	IC201	R202 R203 R204
JVC	EK.EU.(W/O VPS)		LC74788N-9751	○
	MS.EA.EE		LC74789N-9770	X
PHI	EM		LC74789N-9719	○
	/55		LC74789N-9824	X
	/75		LC74788N-9705	○

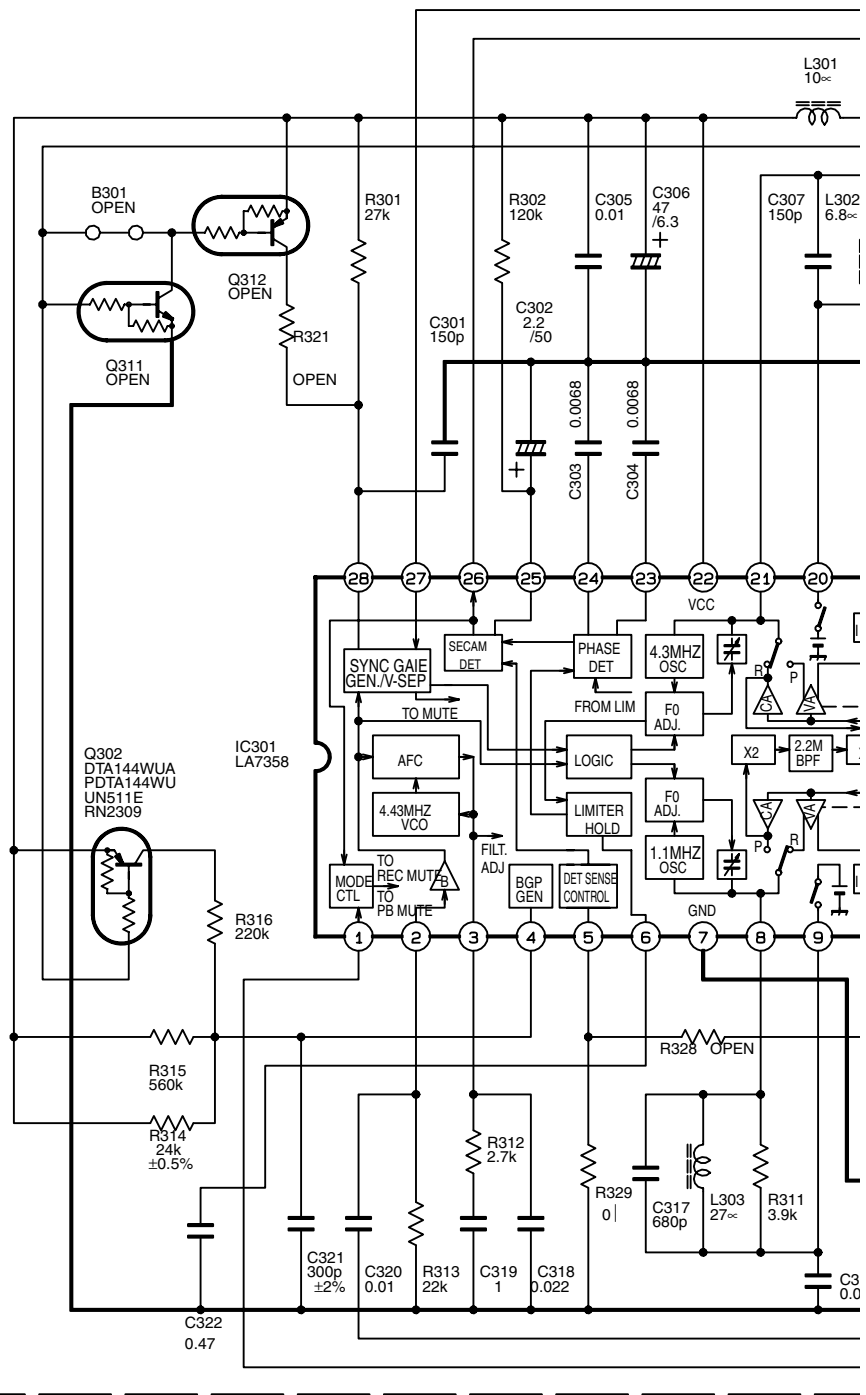
Note : The Parts Number, value and rated voltage etc. in the Schematic Diagram are for references only.
When replacing the parts, refer to the Parts List.



0 3 MAIN (ON SCREEN)

4.3 MAIN(SECAM) SCHEMATIC DIAGRAM

0 3 MAIN(SECAM)



NOTES: UNLESS OTHERWISE SPECIFIED.

ALL RESISTANCE VALUES ARE IN OHMS.

ALL INDUCTANCE VALUES ARE IN H.

ALL CAPACITANCE VALUES ARE IN μ F.

 ELECTROLYTIC
 CERAMIC

Note : The Parts Number, value and rated voltage etc. in the Schematic Diagram are for references only. When replacing the parts, refer to the Parts List.

